

LOC		DIST		P		F		ZONE		LTR		REVISIONS		DATE	APPD
AF	50									A		REL -1 PER 0710-0645-94	1/9/95	JR/RB	

D

C

B

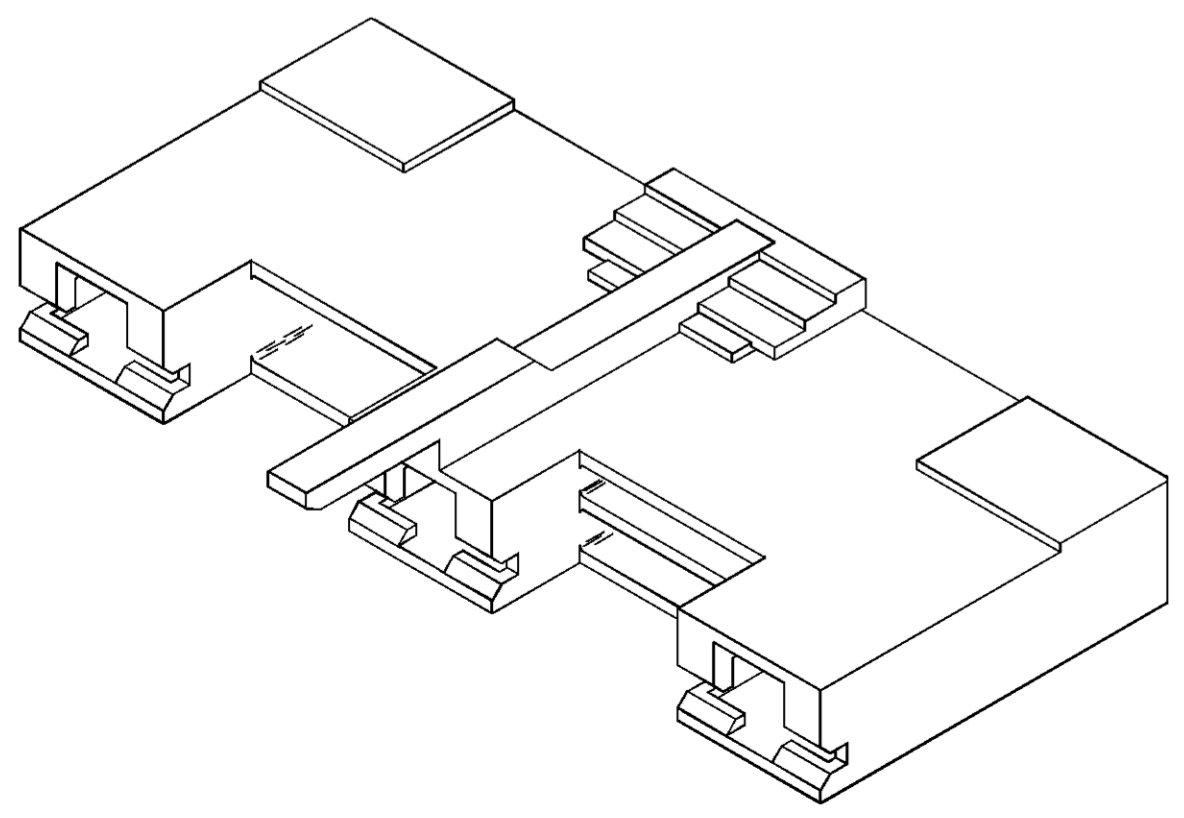
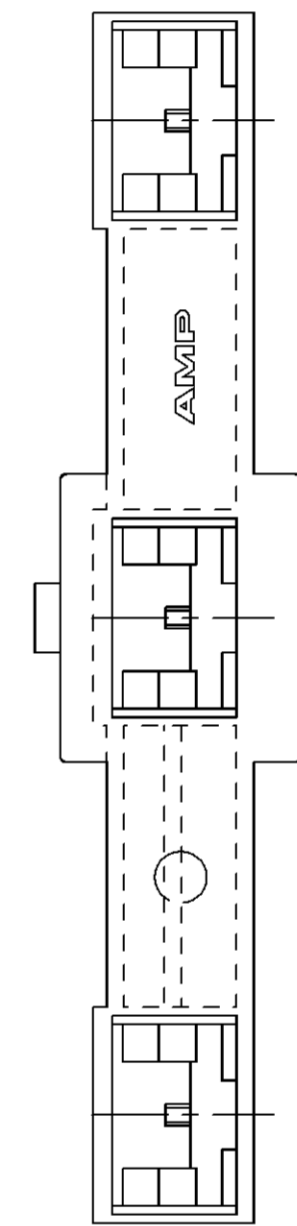
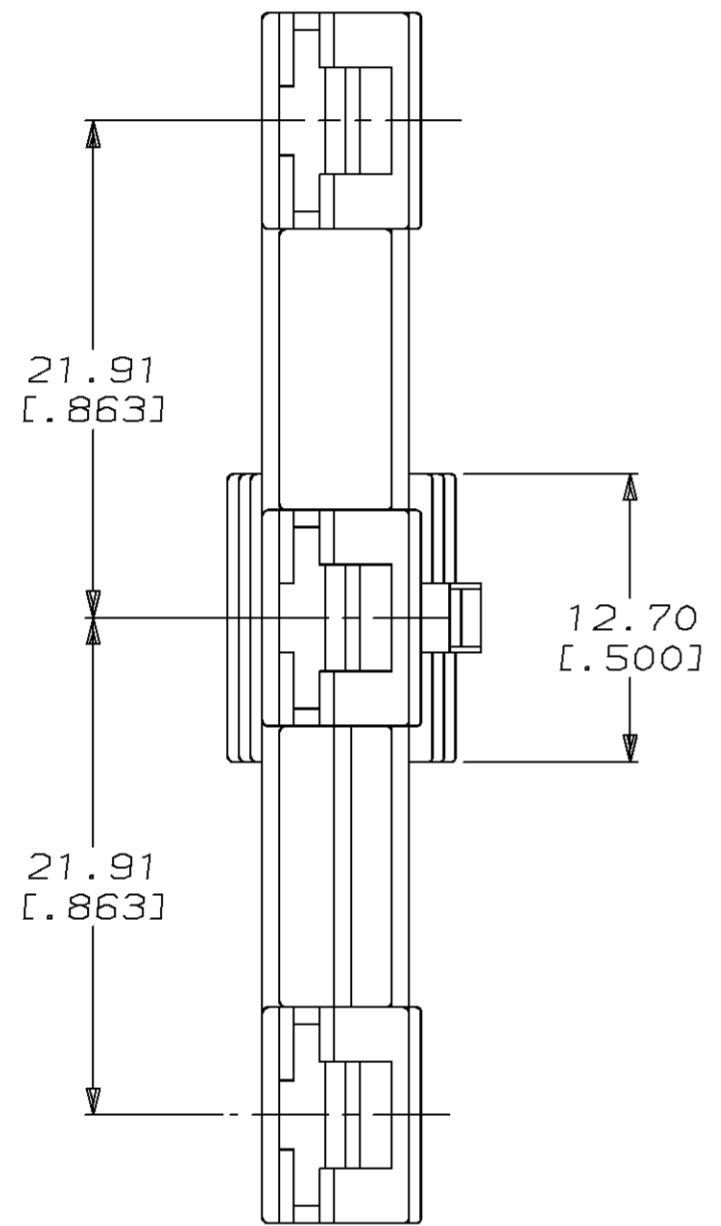
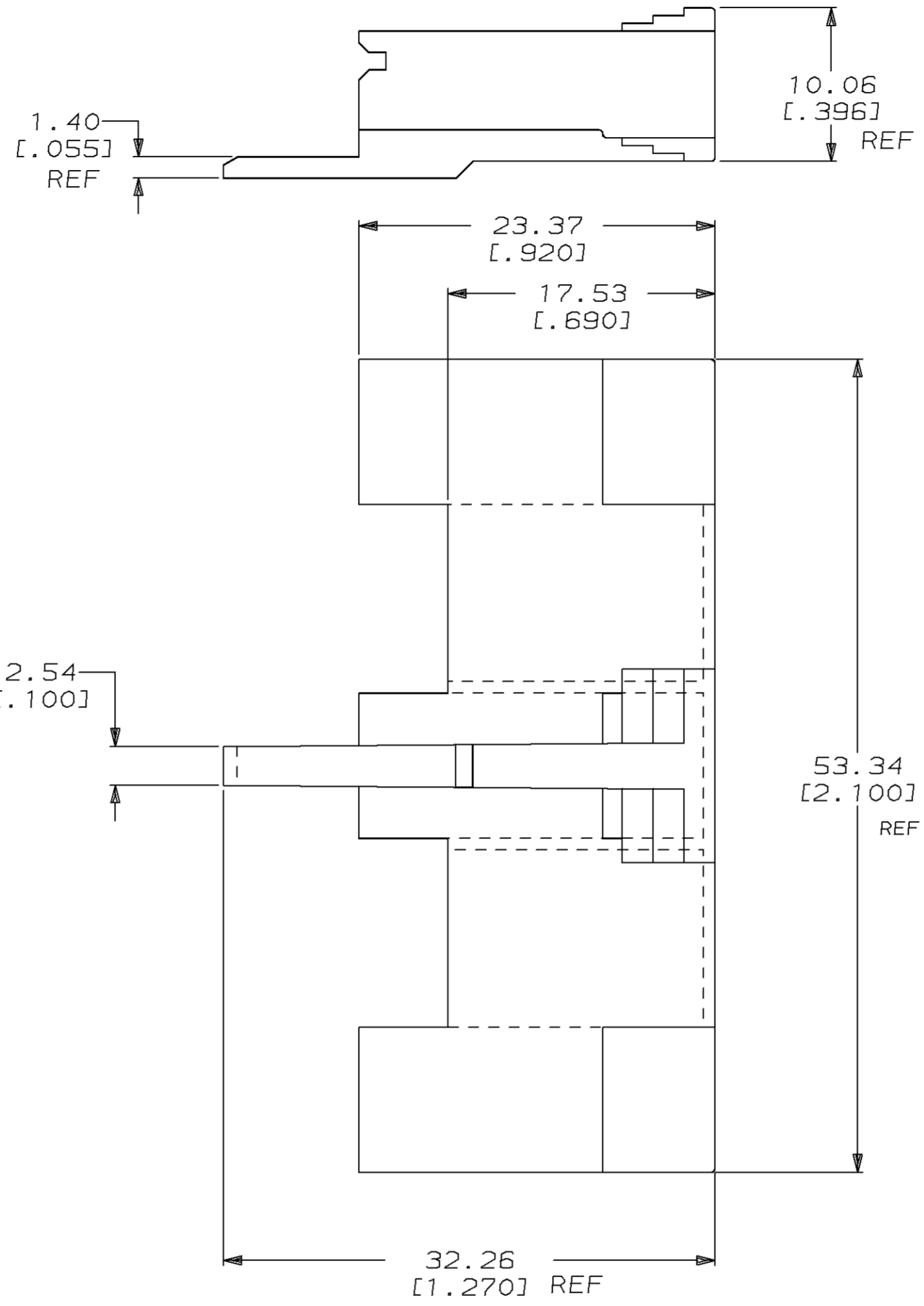
A

D

C

B

A



521067-1
PART NO

DO NOT SCALE PRINT. UNLESS SPECIFIED DIMENSIONS IN mm [INCHES] TOLERANCES ON : 2 PLC DEC ± 0.25 [.010] 3 PLC DEC ± - ANGLES ± -		DR 8/3/94 JR RUTH		AMP Incorporated Harrisburg, PA 17105-3608	
MATERIAL 6/6 NYLON		CHK 8/3/94 MS FEHER			
FINISH BLACK		APPD 8/3/94 R BEAVER		NAME HOUSING, RECEPTACLE, FASTON,™ 6.35 [.250] SERIES	
APPLICATION SPEC -		APPD 8/3/94 R REINER		SIZE C 00779	
WEIGHT -		PRODUCT SPEC -		DRAWING NO G=521067	
		SCALE 4:1		SHEET 1 OF 1	

THIS DRAWING IS A CONTROLLED DOCUMENT FOR AMP INCORPORATED. IT IS SUBJECT TO CHANGE AND THE CONTROLLING ENGINEERING ORGANIZATION SHOULD BE CONTACTED FOR THE LATEST REVISION.